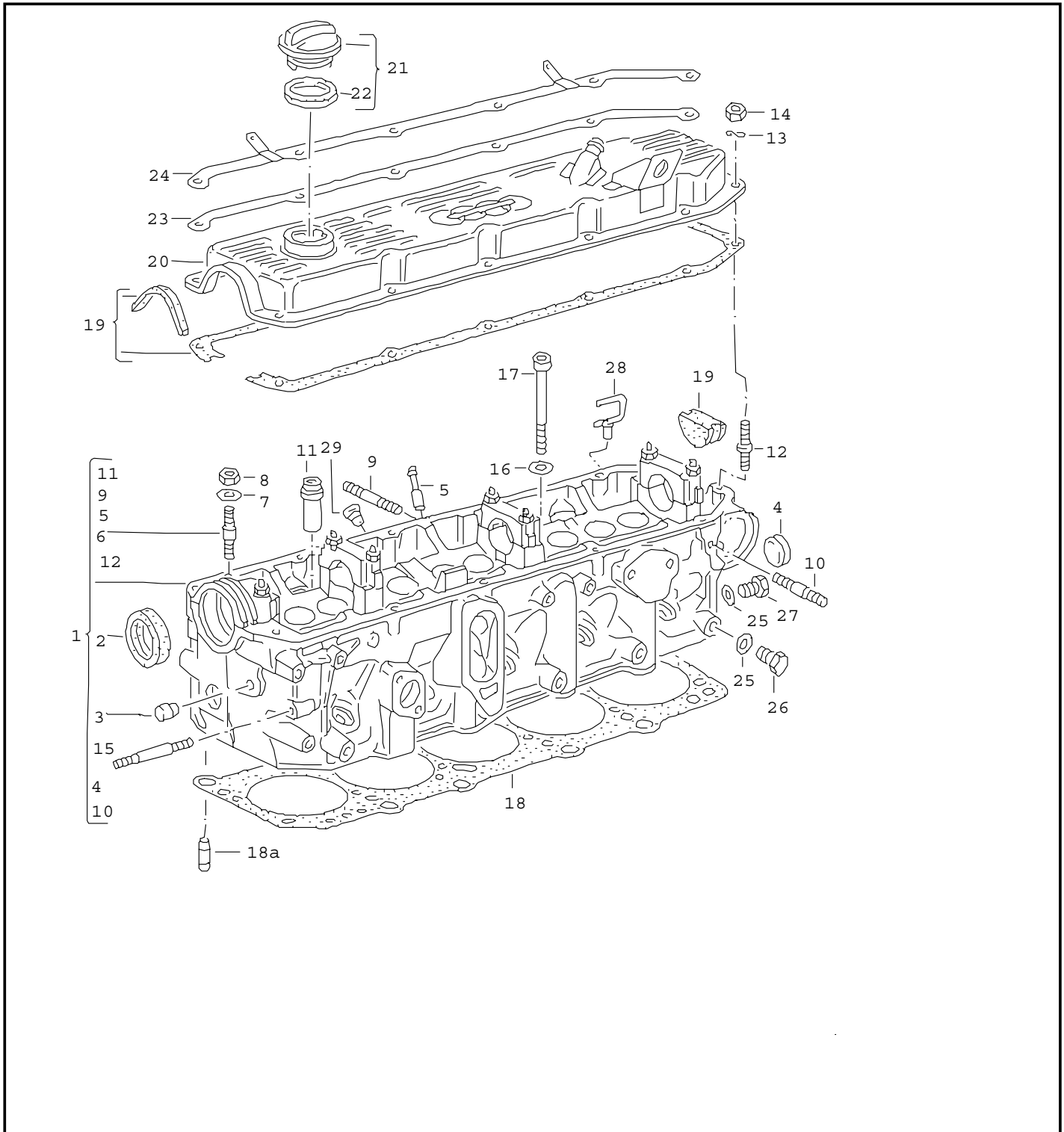




ETKA



| Model | Year | MG: | SG: | Illustration | Restrictions | Update | | |
|-------|------|-----|-----|--------------|--------------|--------|-------|------------|
| QUAT | 83 | 1 | 03 | 3-00 | | 525 | 21:10 | 18.04.2005 |





ETKA



| | | | | | | | | |
|---------------|------------|----------|-----------|----------------------|--------------|---------------|-------|------------|
| Model QUAT | Year 83 | MG: 1 | SG: 03 | Illustration 3-00 | Restrictions | Update 525 | 21:10 | 18.04.2005 |
|---------------|------------|----------|-----------|----------------------|--------------|---------------|-------|------------|

| Pos | Part Number | Name | Remarks | Qty | Model |
|------|-----------------|---|---------------|-----|-------|
| | | cylinder head | | | WX |
| (1) | 035 103 351 BC | cylinder head | | 1 | |
| | | | also use: | | |
| | | | 034 133 335 D | 1 | |
| 2 | * 068 103 085 E | seal | 47X10 | 1 | |
| 3 | 056 103 379 | plug | 7,4 | 2 | |
| 4 | N 011 914 2 | sealing cap | 24 | 1 | |
| - | 034 133 335 D | cap | 7 | 1 | |
| 6 | 056 103 397 | stud | M8X56 | 8 | |
| 7 | N 011 558 11 | washer | 8,4X15X1,6 | 8 | |
| 8 | N 011 008 30 | hex. nut | M8 | 8 | |
| 9 | N 901 889 02 | stud | M8X35 | 10 | |
| 11 | 049 103 419 | valve guide | 42,5MM | 10 | |
| 12 | 026 103 400 A | stud with shoulder | M6X25/M6X14 | 12 | |
| 13 | N 012 226 5 | spring washer | B6X12X0,5 | 12 | |
| (13) | N 011 547 6 | washer | A6,5X14X1,6 | 3 | |
| 14 | N 011 006 24 | hex. nut | M6 | 12 | |
| 15 | N 044 398 1 | stud | M6X48 | 1 | |
| 16 | 056 103 377 | washer | | 12 | |
| 17 | 049 103 385 | bolt, with polygon socket hd. | M11X1,5X98 | 12 | |
| 18 | * 035 103 383 J | cylinder head gasket | | 1 | |
| (19) | 034 198 025 D | set of gaskets for cylinder head cover for stud with shoulder F 85-B-900 159>> | | 1 | |
| 20 | 035 103 469 S | cylinder head cover F 85-B-900 159>> | | 1 | |
| 21 | 06A 103 485 F | sealing cap | | 1 | |
| 22 | 059 103 487 | gasket | | 1 | |
| 23 | 035 103 591 A | strip | | 1 | |



ETKA



| | | | | | | | | |
|-------|------|-----|-----|--------------|--------------|--------|-------|------------|
| Model | Year | MG: | SG: | Illustration | Restrictions | Update | | |
| QUAT | 83 | 1 | 03 | 3-00 | | 525 | 21:10 | 18.04.2005 |

| Pos | Part Number | Name | Remarks | Qty | Model |
|-----|---------------|--|---------|-----|-------|
| 24 | 035 103 589 D | strip F 85-B-900 159>> | | 1 | |
| 25 | 034 133 073 G | gasket | | 1 | |
| 29 | 035 103 643 B | oil spray jet | | 2 | |
| - | 035 198 012 K | 1 set of gaskets for cylinder head F 85-B-900 159>> - - - E N D - - - | | 1 | |