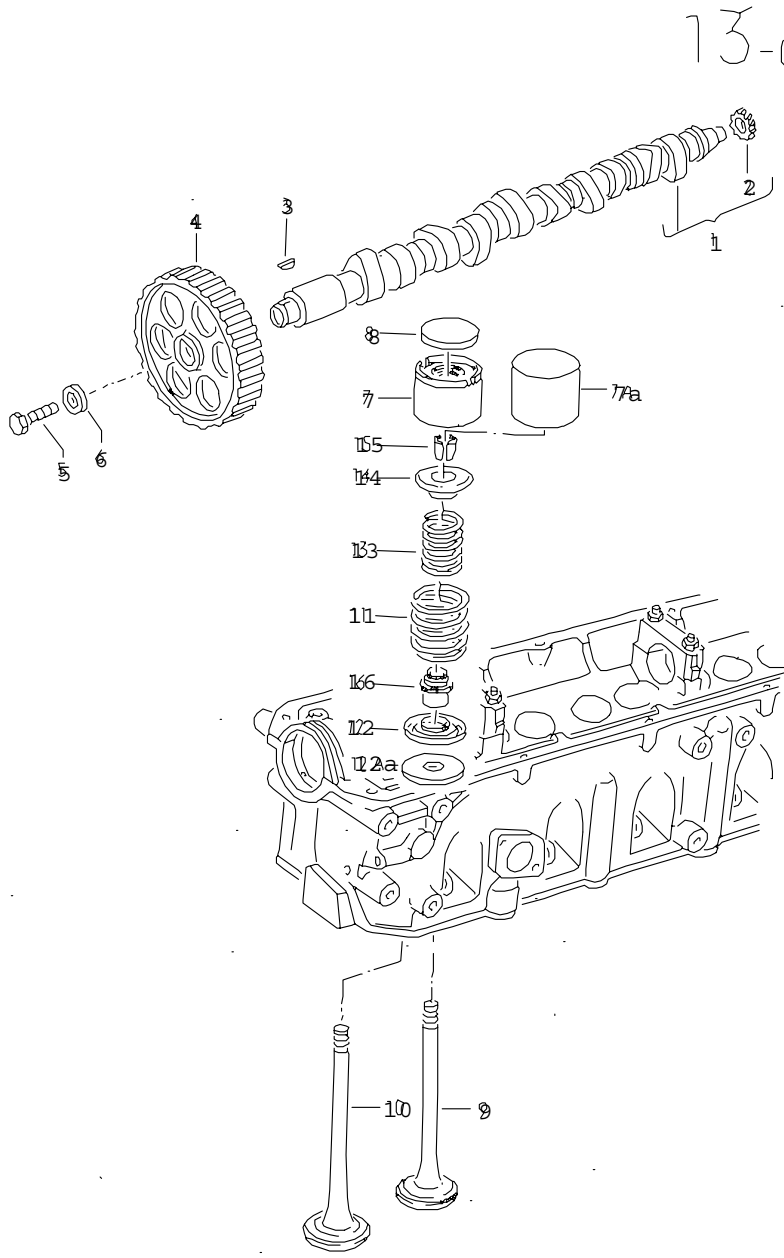




ETKA



| | | | | | | | | |
|---------------|------------|----------|-----------|----------------------|--------------|---------------|-------|------------|
| Model QUAT | Year 83 | MG: 1 | SG: 09 | Illustration 7-00 | Restrictions | Update 525 | 21:32 | 18.04.2005 |
|---------------|------------|----------|-----------|----------------------|--------------|---------------|-------|------------|



AU. 200 - 88 1 - 88 MOD 44 - 88 1 - 88 MOD 44 - 87 4 - 87 MOD 44 - 85 2 - 87



ETKA



| | | | | | | | | |
|---------------|------------|----------|-----------|----------------------|--------------|---------------|-------|------------|
| Model QUAT | Year 83 | MG: 1 | SG: 09 | Illustration 7-00 | Restrictions | Update 525 | 21:32 | 18.04.2005 |
|---------------|------------|----------|-----------|----------------------|--------------|---------------|-------|------------|

| Pos | Part Number | Name | Remarks | Qty | Model |
|-----|----------------|--|------------|-----|-------|
| | | camshaft, valves | | | WX |
| (1) | 035 109 021 AS | camshaft | | 1 | |
| 2 | 035 109 109 | drive gear for distributor F 85-B-900 159>> | | 1 | |
| 3 | N 012 708 2 | woodruff key | 4X5 | 1 | |
| 4 | 049 109 111 C | toothed belt pulley | | | |
| 5 | N 010 137 1 | screw, hex. hd. | M12X1,5X35 | 1 | |
| 6 | 056 109 143 | washer | 12,5X28X6 | 1 | |
| 7 | 056 109 311 A | cam follower | | 10 | |
| 8 | 056 109 561 | adjusting washer | 3,3 | X | |
| (8) | 056 109 562 | adjusting washer | 3,35 | X | |
| (8) | 056 109 563 | adjusting washer | 3,4 | X | |
| (8) | 056 109 564 | adjusting washer | 3,45 | X | |
| (8) | 056 109 565 | adjusting washer | 3,5 | X | |
| (8) | 056 109 566 | adjusting washer | 3,55 | X | |
| (8) | 056 109 567 | adjusting washer | 3,6 | X | |
| (8) | 056 109 568 | adjusting washer | 3,65 | X | |
| (8) | 056 109 569 | adjusting washer | 3,7 | X | |
| (8) | 056 109 570 | adjusting washer | 3,75 | X | |
| (8) | 056 109 571 | adjusting washer | 3,8 | X | |
| (8) | 056 109 572 | adjusting washer | 3,85 | X | |
| (8) | 056 109 573 | adjusting washer | 3,9 | X | |
| (8) | 056 109 574 | adjusting washer | 3,95 | X | |
| (8) | 056 109 575 | adjusting washer | 4 | X | |
| (8) | 056 109 576 | adjusting washer | 4,05 | X | |
| (8) | 056 109 577 | adjusting washer | 4,1 | X | |
| (8) | 056 109 578 | adjusting washer | 4,15 | X | |



ETKA



| | | | | | | | | |
|---------------|------------|----------|-----------|----------------------|--------------|---------------|-------|------------|
| Model QUAT | Year 83 | MG: 1 | SG: 09 | Illustration 7-00 | Restrictions | Update 525 | 21:32 | 18.04.2005 |
|---------------|------------|----------|-----------|----------------------|--------------|---------------|-------|------------|

| Pos | Part Number | Name | Remarks | Qty | Model |
|-------------------|---------------|-----------------------------------|---------|-----|-------|
| (8) | 056 109 579 | adjusting washer | 4,2 | X | |
| (8) | 056 109 580 | adjusting washer | 4,25 | X | |
| 9 | 035 109 601 F | intake valve | 98,7 | | |
| 10 | 035 109 611 H | exhaust valve | 98,5 | 5 | |
| 11 | 078 109 623 A | spring - valve | outer | 10 | |
| 12 | 056 109 629 A | spring seat | lower | 10 | |
| 13 | 078 109 633 A | spring - valve | inner | 10 | |
| (14) | 049 109 641 A | spring seat F 85-B-901 533>> | upper | 10 | |
| (15) | 113 109 651 A | cotter, split F 85-B-901 533>> | | 20 | |
| 16 | 026 109 675 | seal - valve stem | 8MM | 10 | |
| - - - E N D - - - | | | | | |