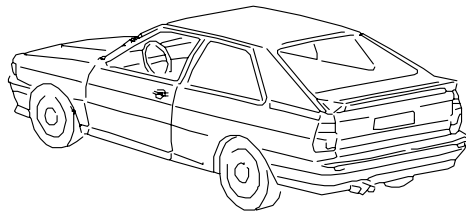




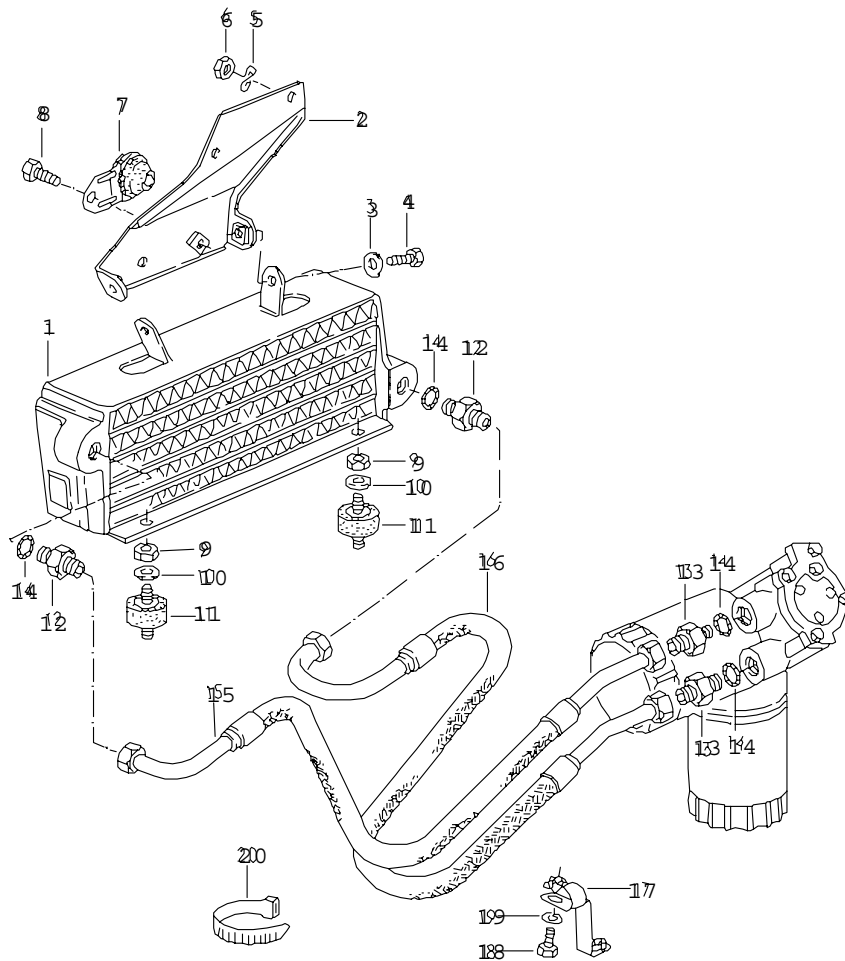
ETKA



Model	Year	MG:	SG:	Illustration	Restrictions	Update		
QUAT	83	1	17	9-10		525	21:33	18.04.2005



9-10



AU au 3-85



ETKA



Model QUAT	Year 83	MG: 1	SG: 17	Illustration 9-10	Restrictions	Update 525	21:33	18.04.2005
---------------	------------	----------	-----------	----------------------	--------------	---------------	-------	------------

Pos	Part Number	Name	Remarks	Qty	Model
		oil cooler			WX
1	035 117 021 A	oil cooler		1	
2	035 117 041	retaining clamp		1	
3	N 011 525 13	washer	A8,4	2	
4	N 010 238 20	screw, hex. hd.	M8X15	2	
5	N 012 241 10	spring washer	B8X15X0,8	2	
6	N 011 008 8	hex. nut	M8	2	
7	437 971 848	holder for harness		1	
8	N 010 237 6	screw, hex. hd.	M8X12	1	
9	N 011 006 24	hex. nut	M6	2	
10	N 011 666 15	washer	6,4X18X1,6	2	
11	443 121 273 E	bonded rubber mounting		2	
12	N 020 809 1	union	L12M-B	2	
13	049 117 233	union		2	
14	N 013 848 1	sealing washer	A16X22	4	
15	035 117 125 C	oil pressure line	feed	1	
16	035 117 123 D	oil pressure line	return	1	
17	035 117 241	cable holder		1	
18	N 010 296 2	screw, hex. hd.	M5X18	1	
19	N 012 224 3	spring washer	B4X9X0,5	1	
20	N 906 661 01	tie wrap	4,5X200	1	
		- - - E N D - - -			