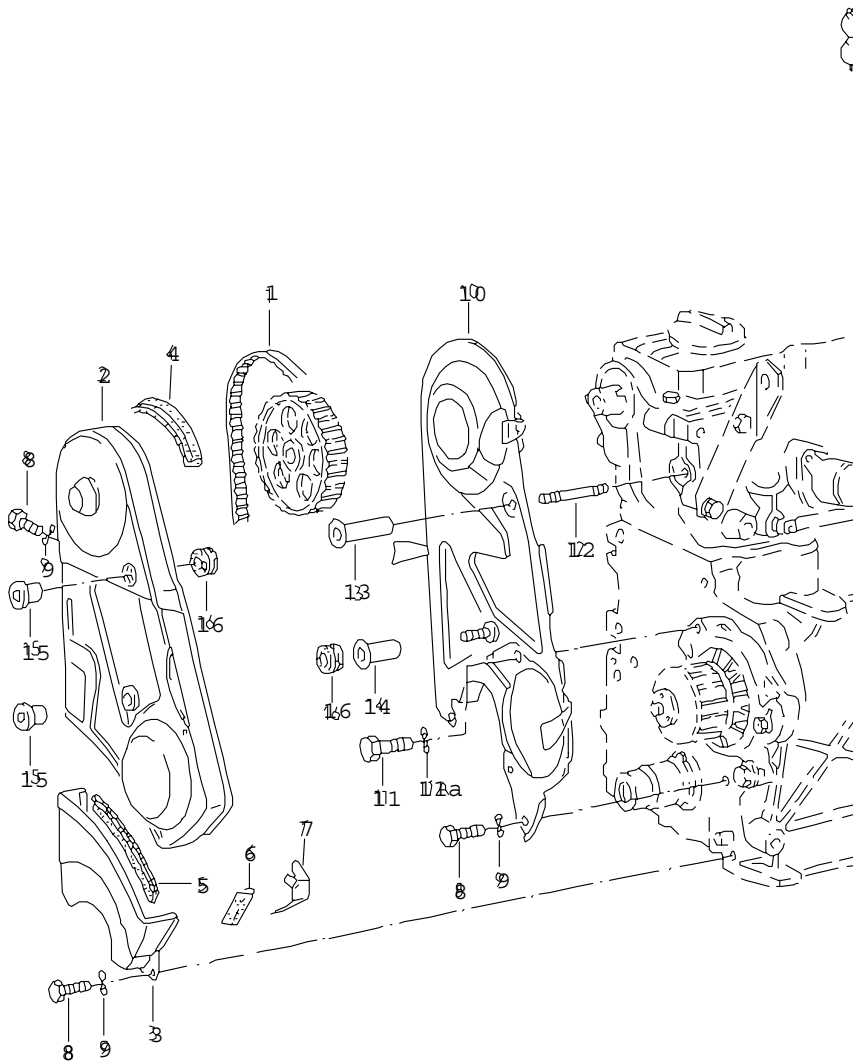




ETKA



Model	Year	MG:	SG:	Illustration	Restrictions	Update		
QUAT	83	1	09	8-00		525	21:32	18.04.2005



AU, qu 1-87 AU, 200 bu 4-86 AU, 100 qu 4-86 AU, Coupe qu 3-86 AU, 80/90 qu 85 4-86 AU, 80/90 qu 87 2-86 AU, 80 qu 1-87



ETKA



Model QUAT	Year 83	MG: 1	SG: 09	Illustration 8-00	Restrictions	Update 525	21:32	18.04.2005
---------------	------------	----------	-----------	----------------------	--------------	---------------	-------	------------

Pos	Part Number	Name	Remarks	Qty	Model
		toothed belt toothed belt cover			WX
1	035 109 119	toothed belt F >> 85-D-902 500	113Z	1	
(1)	034 109 119	toothed belt F 85-E-900 001>> 85-H-902 400	120Z	1	
2	073 109 108	toothed belt cover	upper	1	
3	069 109 110	toothed belt cover	lower	1	
4	069 109 139 B	gasket		1	
5	069 109 140	gasket	B4,1X10,2X0,9	1	
6	069 109 139 B	gasket	760MM	2	
7	069 109 141	bracket for toothed belt cover		2	
8	N 010 215 27	screw, hex. hd.	M6X15	X	
9	N 012 226 5	spring washer	B6X12X0,5	X	
10	035 109 143	cover plate		1	
-	N 012 241 10	spring washer	B8X15X0,8	2	
11	N 010 247 8	screw, hex. hd.	M8X35	2	
11A	N 011 670 16	washer	8,4X24X2	1	
12	N 044 398 1	stud	M6X48	1	
13	035 109 135 C	spacer tube		1	
14	035 109 135 B	spacer tube		1	
15	049 109 207	shouldered nut with socket	M6	2	
16	056 129 669 B	grommet		2	
		- - - E N D - - -			