

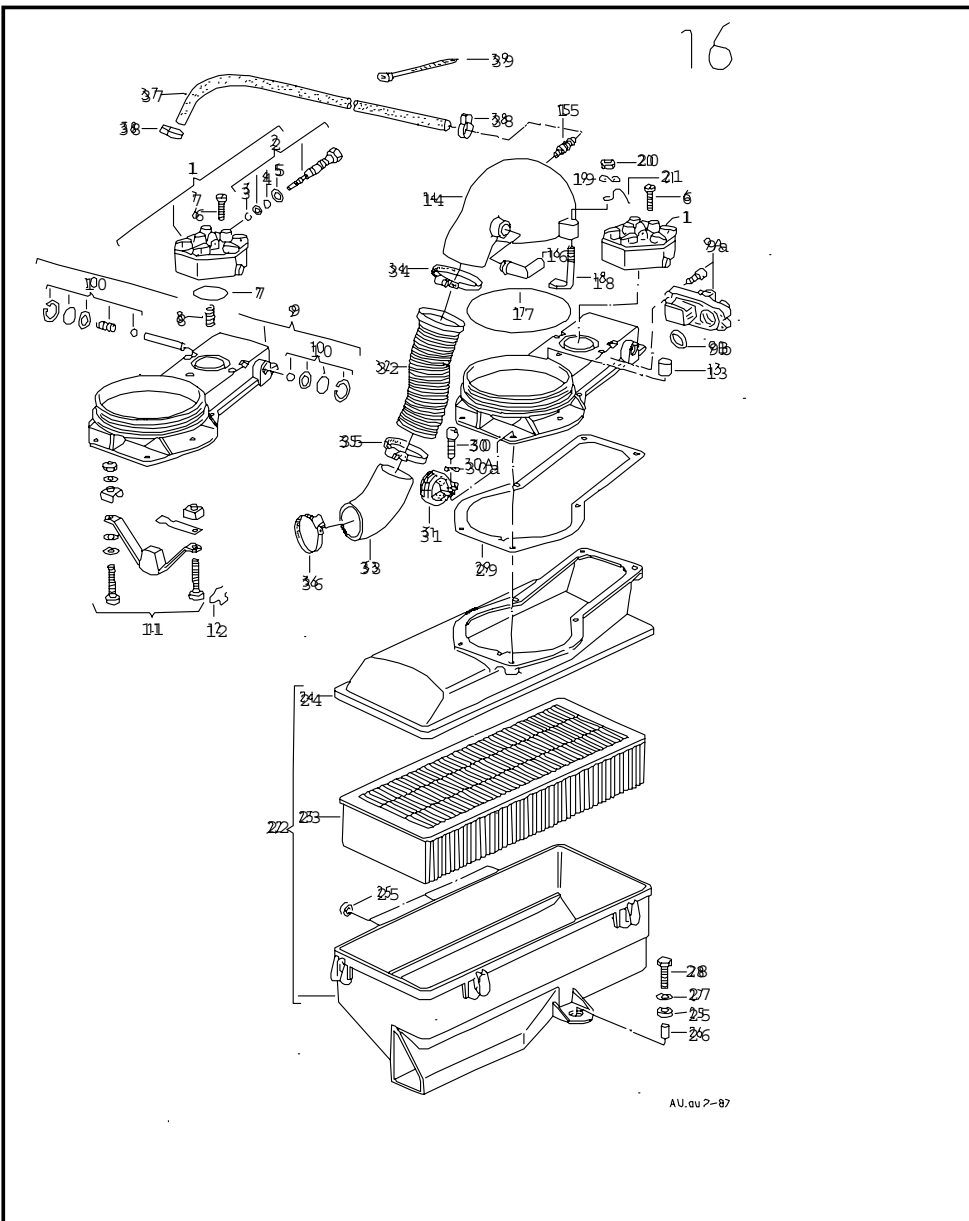


|       |      |     |     |              |              |        |       |            |   |      |   |
|-------|------|-----|-----|--------------|--------------|--------|-------|------------|---|------|---|
| Model | Year | MG: | SG: | Illustration | Restrictions | Update | 21:36 | 18.04.2005 |  | ETKA |  |
| QUAT  | 83   | 1   | 33  | 16-00        |              | 525    |       |            |   |      |   |



| Pos  | Part Number   | Name   | Remarks  | Qty | Model |
|------|---------------|--|----------|-----|-------|
|      |               | fuel metering valve<br>mass air flow sensor<br>intake air duct |          |     | WX    |
| 1    | 035 133 481 M | fuel metering valve<br>F 85-D-900 582>>                        |          | 1   |       |
| 2    | 035 198 685   | parts kit for fuel metering<br>valve                           |          | 1   |       |
| -    | 035 198 691   | set of gaskets for<br>fuel metering valve                      |          | 1   |       |
| 3    | 035 133 487   | sealing washer   | 4MM      | 1   |       |
| 4    | 035 133 485 A | sealing washer   | 7MM      | 1   |       |
| 5    | N 013 813 1   | sealing washer<br>F >> 85-D-900 581                            | A12X17   | 1   |       |
| (5)  | N 013 830 2   | sealing washer<br>F 85-D-900 582>>                             | A8X12    | 1   |       |
| 6    | 035 133 483 C | screw, cheese hd.  |          | 3   |       |
| 7    | 034 133 476   | round seal   | 29,5X1,5 | 1   |       |
| 8    | 035 133 543 B | pressure spring  |          | 1   |       |
| 9    | 035 133 471 P | mass air flow sensor   |          | 1   |       |
| 10   | 063 133 417   | control lever mounting   |          | 1   |       |
| 11   | 063 133 419   | stop   |          | 1   |       |
| 12   | 035 133 478 A | retaining clip   |          | 1   |       |
| (13) | 049 133 777 B | plug for co-adjusting<br>screw                                 |          | 1   |       |
| 14   | 035 133 357 P | intake air duct  |          | 1   |       |
| 15   | 035 145 741 H | control jet  |          | 1   |       |
| (15) | 035 145 741 G | control jet  |          | 1   |       |