

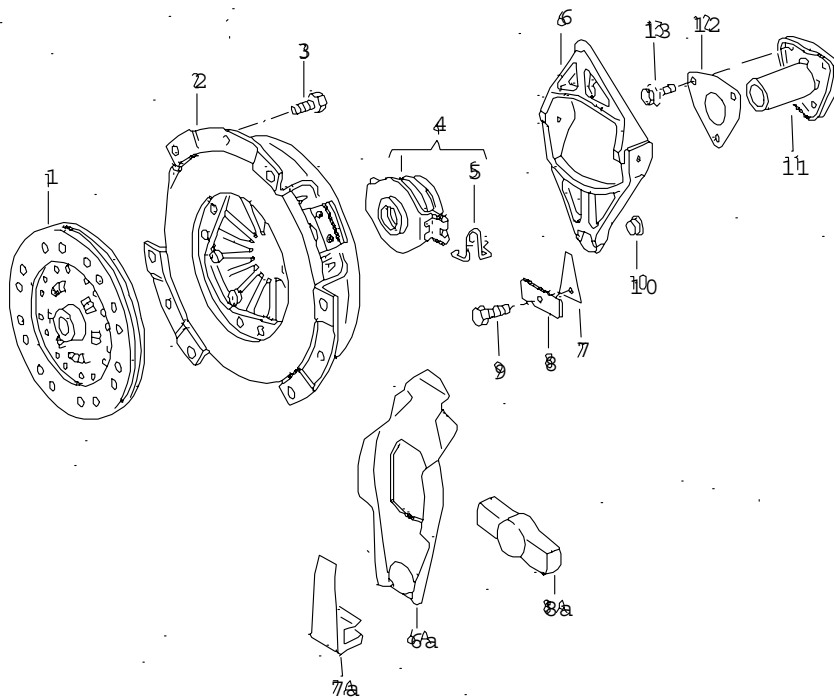


ETKA



Model QUAT	Year 83	MG: 1	SG: 41	Illustration 19-00	Restrictions	Update 525	21:37	18.04.2005
---------------	------------	----------	-----------	-----------------------	--------------	---------------	-------	------------

19:



AU.qu 4-87



ETKA



Model QUAT	Year 83	MG: 1	SG: 41	Illustration 19-00	Restrictions	Update 525	21:37	18.04.2005
---------------	------------	----------	-----------	-----------------------	--------------	---------------	-------	------------

Pos	Part Number	Name	Remarks	Qty	Model
		clutch			WX
1	#035 141 033 GX	clutch disc	240MM	1	
2	>035 141 117 K	clutch pressure plate	240MM	1	
3	N 014 739 2	bolt, with hex. socket hd.	M8X16	6	
4	088 141 165 B	release bearing		1	
5	113 141 177 C	retaining spring	left	1	
(5)	113 141 178 C	retaining spring	right	1	
6	016 141 719	clutch operating lever		1	
7	088 141 721	flat spring		1	
8	088 141 737	retaining plate		1	
9	N 040 203 3	screw, hex. hd.	M7X15	1	
10	016 141 319	ball cap		1	
11	016 141 181	guide sleeve	steel	1	
12	113 141 176	washer		1	
13	N 040 203 3	screw, hex. hd.	M7X15	3	
		- - - E N D - - -			