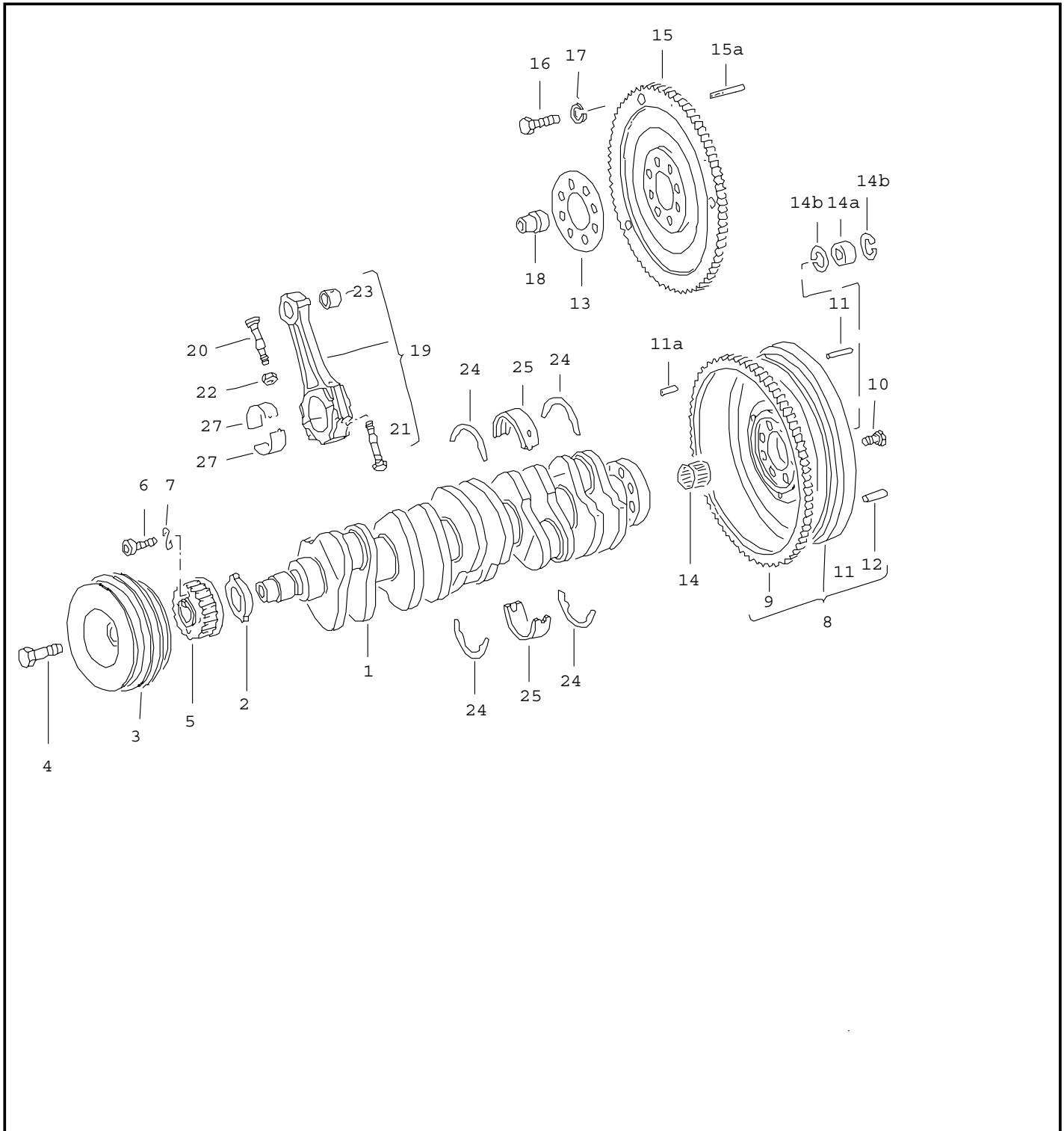




ETKA



Model	Year	MG:	SG:	Illustration	Restrictions	Update		
QUAT	83	1	05	5-00		525	21:27	18.04.2005





ETKA



Model QUAT	Year 83	MG: 1	SG: 05	Illustration 5-00	Restrictions	Update 525	21:27	18.04.2005
---------------	------------	----------	-----------	----------------------	--------------	---------------	-------	------------

Pos	Part Number	Name	Remarks	Qty	Model
		crankshaft connecting rod			WX
1	035 105 021	crankshaft		1	
2	046 105 177	lever for oil pump		1	
3	034 105 251 A	v-belt pulley with vibration damper		1	
4	N 010 143 2	screw, hex. hd.	M18X1,5X65	1	
5	035 105 263 C	toothed belt pulley			
6	N 014 726 3	bolt, with hex. socket hd.	M8X30	4	
8	035 105 270 B	flywheel		1	
9	059 105 275	starter ring		1	
10	N 902 061 03	screw, hex. hd.	M10X1X19,5	8	
11	N 902 599 01	dowel pin	4H8X28	2	
11A	N 902 318 01	dowel pin	4H8X20	1	
12	N 013 210 2	dowel pin	6M6X16	3	
14	046 105 313 D	needle bearing -	C18X24X16	1	
19	035 198 401	1 set of connecting rods		1	
20	* 056 105 425 C	connecting rod bolt,pressed in	M9X1	10	
22	056 105 427	hex. nut	M9X1	10	
23	* 056 105 431	bushing-connecting rod		5	
24	035 198 421	1 set of thrust washers	bearing 4	1	
25	034 198 491 A	1 set of crankshaft bearings	upper/lower	6	
(25)	035 198 493	1 set of crankshaft bearings	0.25 u.s. upper/lower	X	
(25)	035 198 495	1 set of crankshaft bearings	0.5 u.s. upper/lower	X	
(25)	035 198 497	1 set of crankshaft bearings	0.75 u.s. upper/lower	X	
27	056 105 701	connecting rod bearing shell		10	



ETKA



Model	Year	MG:	SG:	Illustration	Restrictions	Update		
QUAT	83	1	05	5-00		525	21:27	18.04.2005

Pos	Part Number	Name	Remarks	Qty	Model
(27)	056 105 707	connecting rod bearing shell	0.25 u.s.	10	
(27)	056 105 713	connecting rod bearing shell	0.5 u.s.	10	
(27)	056 105 719	connecting rod bearing shell	0.75 u.s.	10	
-	AMV 188 001 02	sealing paste	100G	X	
		- - - E N D - - -			