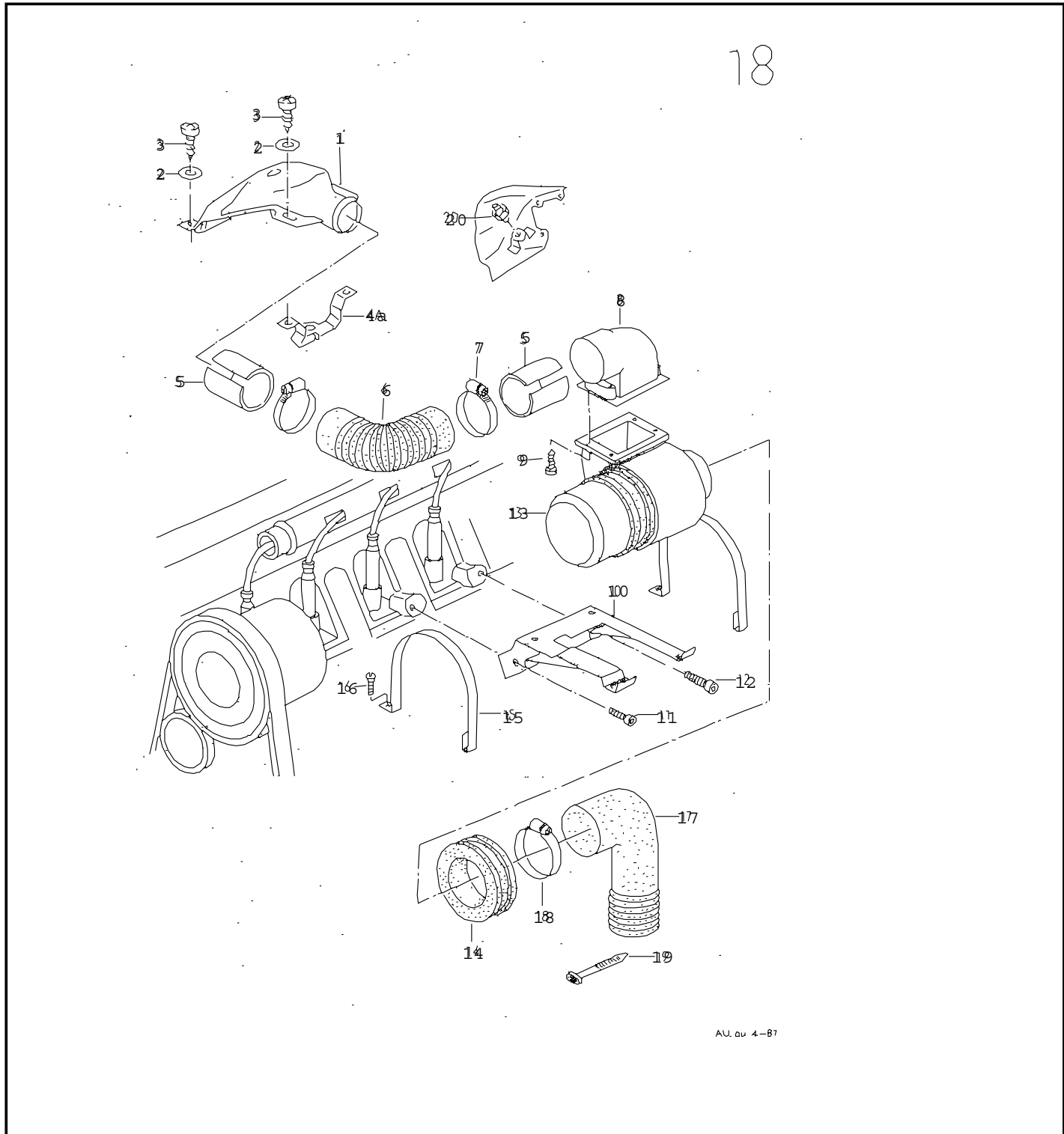




# ETKA



Model	Year	MG:	SG:	Illustration	Restrictions	Update		
QUAT	83	1	33	18-00		525	21:37	18.04.2005



AU.au 4-87



# ETKA



Model QUAT	Year 83	MG: 1	SG: 33	Illustration 18-00	Restrictions	Update 525	21:37	18.04.2005
---------------	------------	----------	-----------	-----------------------	--------------	---------------	-------	------------

Pos	Part Number	Name	Remarks	Qty	Model
		injector cooling			WX
1	035 133 903	air deflector plate for injector cooling		1	
2	N 011 666 15	washer	6,4X18X1,6	X	
3	N 014 133 5	fillister hd. screw	M5X12	X	
4	035 133 825 D	bracket		1	
5	035 133 913	sleeve		2	
6	055 129 087 D	air hose	50,8X180	X	
7	N 024 504 4	clamp	LC40-60	2	
8	035 133 935 B	air duct		1	
9	N 901 308 01	fillister hd. screw	E4,2X16	4	
10	035 959 189 B	bracket		1	
11	N 014 702 10	bolt, with hex. socket hd.	M6X15	1	
12	N 014 779 1	bolt, with hex. socket hd.	M8X20	1	
13	073 959 175 C	fan		1	
14	035 959 209 C	rubber mounting		1	
15	035 959 196 A	clamp		2	
16	N 014 133 5	fillister hd. screw	M5X12	2	
17	035 959 181 D	intake hose		1	
18	N 024 505 4	clamp	LC50-70	1	
19	N 020 902 2	tie wrap	6X246	X	
(20)	035 959 481 B	thermal switch for fan run-on injector cooling	100C M10X1 1 pin white	1	
		- - - E N D - - -			