

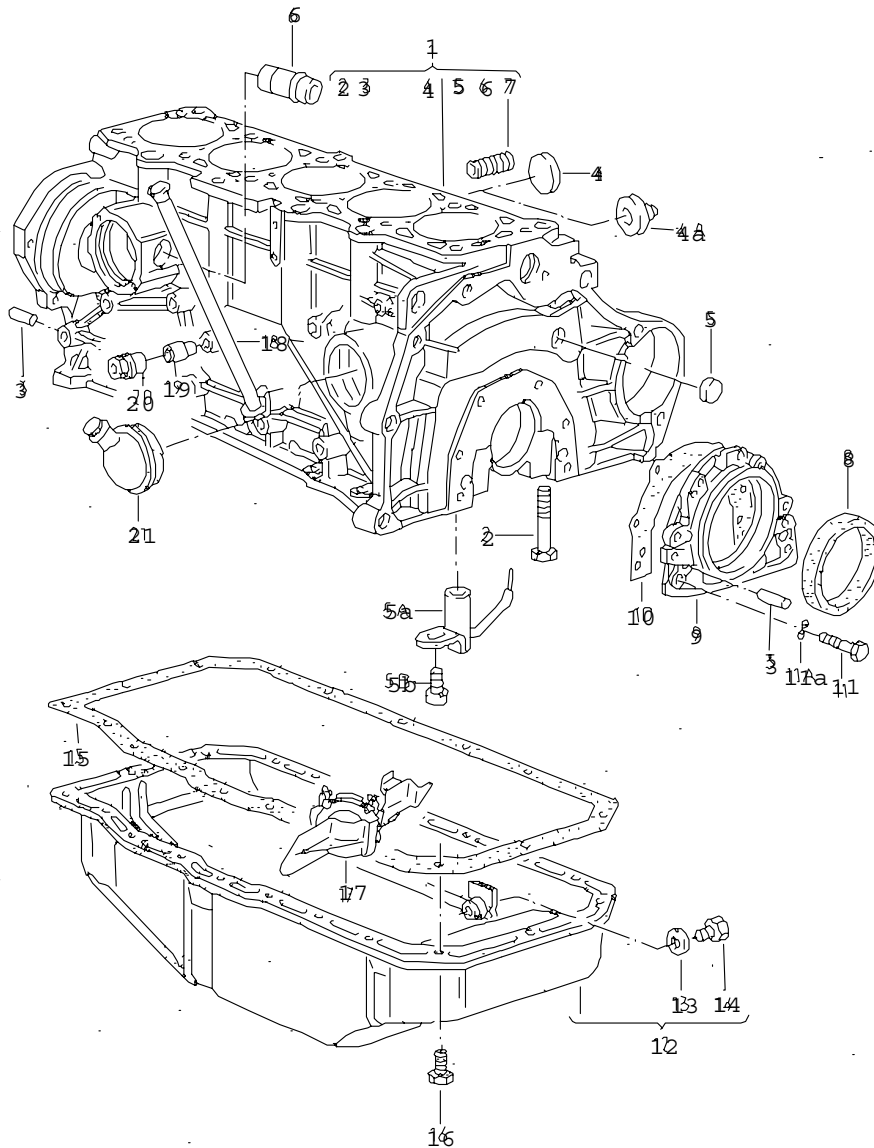


ETKA



Model	Year	MG:	SG:	Illustration	Restrictions	Update		
QUAT	83	1	03	2-00		525	21:10	18.04.2005

2



AU 200 au 88 1-88 AU 100 au 88 1-88 AU 200 qu 86 4-87 AU: 100 qu 85 4-87



ETKA



Model QUAT	Year 83	MG: 1	SG: 03	Illustration 2-00	Restrictions	Update 525	21:10	18.04.2005
---------------	------------	----------	-----------	----------------------	--------------	---------------	-------	------------

Pos	Part Number	Name	Remarks	Qty	Model
		cylinder block with pistons oil sump			WX
(1)	035 103 101 T	cylinder block with pistons		1	
2	N 901 300 01	screw, hex. hd.	AM10X80	12	
3	N 043 207 2	dowel pin	8H8X14	4	
4	059 103 113	sealing cap	36,6	5	
5	N 011 903 3	sealing cap	16	1	
5A	035 103 157 B	oil spray jet		5	
5B	N 014 750 6	bolt, with hex. socket hd.	M6X10	5	
		also use:	N 011 524 23	5	
-	N 011 524 23	washer	A6,4X12,5X1,6	5	
6	034 121 137	union		1	
7	059 115 721	union		1	
8	--- --- --- .	discontinued / replacement:	068 103 171 F	1	
9	068 103 171 F	sealing flange	rear	1	
10	* 026 103 181 B	gasket		1	
11	N 010 216 12	screw, hex. hd.	M6X18	6	
11A	N 012 226 5	spring washer	B6X12X0,5	6	
12	035 103 601 D	oil sump		1	
13	* N 013 849 2	sealing washer	A14X20	1	
14	N 902 889 01	plug	M14X1,5X16	1	
15	054 103 609	gasket for oil pan		1	
16	N 900 084 01	bolt, hex. hd. with shoulder	M6X14	24	
17	034 115 221	restrictor F 85-F-900 001>>		1	
18	035 103 635	tube for oil dipstick		1	
21	054 103 129 A	breather assy.		1	
-	034 198 011 C	set of gaskets for cylinder block		1	



ETKA



Model	Year	MG:	SG:	Illustration	Restrictions	Update		
QUAT	83	1	03	2-00		525	21:10	18.04.2005

Pos	Part Number	Name	Remarks	Qty	Model
		- - - E N D - - -			