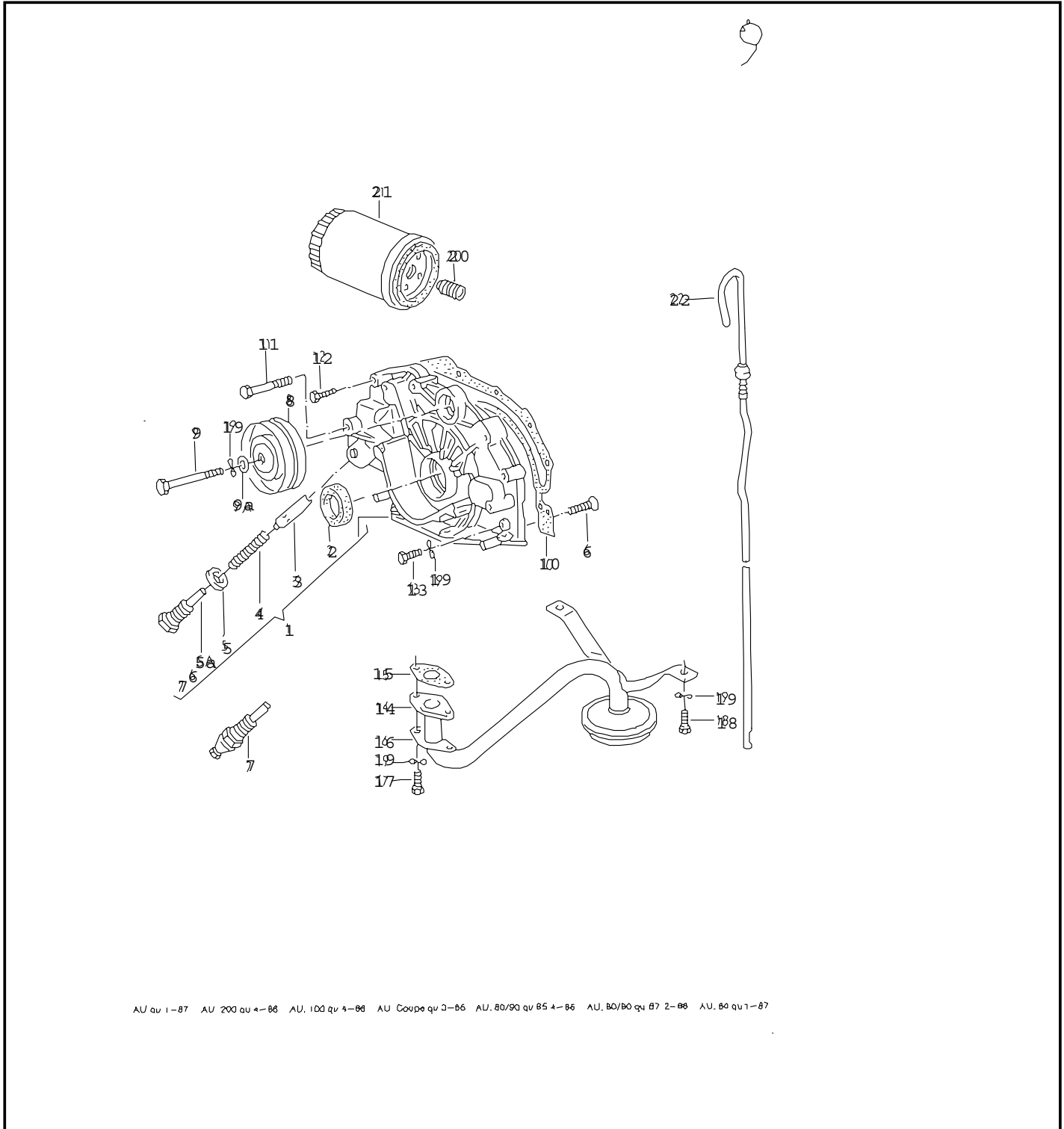




ETKA



Model	Year	MG:	SG:	Illustration	Restrictions	Update		
QUAT	83	1	15	9-00		525	21:32	18.04.2005



AU qu 1-87 AU 200 qu 4-86 AU 100 qu 4-86 AU Coupe qu 2-86 AU 80/90 qu 85 4-86 AU 80/80 qu 87 2-88 AU 80 qu 1-87



ETKA



Model QUAT	Year 83	MG: 1	SG: 15	Illustration 9-00	Restrictions	Update 525	21:32	18.04.2005
---------------	------------	----------	-----------	----------------------	--------------	---------------	-------	------------

Pos	Part Number	Name	Remarks	Qty	Model
		oil pump oil dipstick			WX
1	034 115 105 A	oil pump			
2	* 054 115 147 B	radial shaft seal	35X48X10	1	
3	035 115 411	piston F >> 85-E-901 500		1	
(3)	078 115 411	piston F 85-F-900 001>>		1	
4	035 115 421	pressure spring F >> 85-E-901 500		1	
(4)	069 115 421 B	pressure spring F 85-F-900 001>>		1	
5	N 013 832 1	sealing washer F >> 85-E-901 500	A18X22	1	
(5)	N 013 827 2	sealing washer F 85-F-900 001>>	A22X27	1	
5A	035 115 431	plug F >> 85-E-901 500		1	
(5)	069 115 431 B	plug	M22X1,5	1	
8	069 109 243 B	relay roller F >> 85-H-902 400	74MM	1	
9	N 010 368 1	screw, hex. hd.	M6X62	1	
10	034 115 189 A	gasket		1	
11	N 010 370 5	screw, hex. hd.	BM8X70	1	
12	N 010 220 12	screw, hex. hd.	M6X30	2	
		also use:	N 011 524 23	2	
-	N 011 524 23	washer	A6,4X12,5X1,6	2	
13	N 010 222 8	screw, hex. hd.	M6X22	X	
		also use:	N 012 226 5	X	
(14)	034 115 251 G	suction pipe			
		also use:	>>85-M-000200		
			034 115 427 C	1	
			034 115 273 A	1	
			035 115 285 A	1	
			054 115 221	1	



ETKA



Model QUAT	Year 83	MG: 1	SG: 15	Illustration 9-00	Restrictions	Update 525	21:32	18.04.2005
---------------	------------	----------	-----------	----------------------	--------------	---------------	-------	------------

Pos	Part Number	Name	Remarks	Qty	Model
-	054 115 221	restrictor		1	
-	034 115 273 A	intake manifold		1	
-	035 115 285 A	retaining ring		1	
(15)	034 115 427 C	round seal	26,5X2	1	
16	035 115 259	lock plate		1	
17	N 010 216 12	screw, hex. hd.	M6X18	2	
18	N 905 293 01	screw, hex. hd.	M6X10	2	
19	N 012 226 5	spring washer	B6X12X0,5	X	
21		oil filter see illustration:	9-05		
22	034 115 611 L	oil dipstick		1	
-	034 115 625 B	sealing washer	5X1,9	1	
		- - - E N D - - -			