

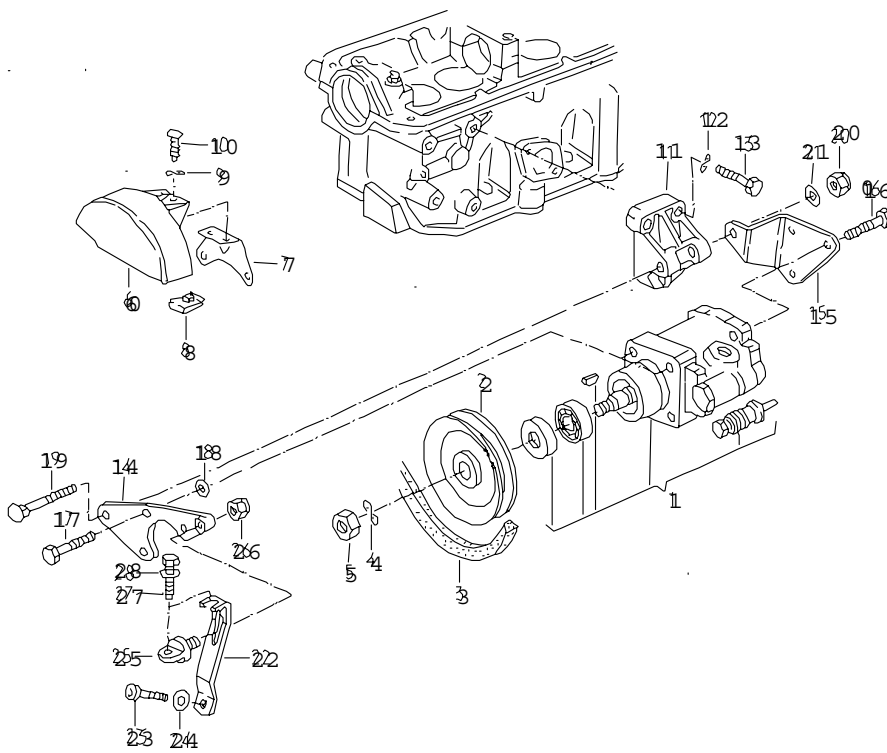


# ETKA



Model	Year	MG:	SG:	Illustration	Restrictions	Update		
QUAT	83	1	45	19-20		525	21:38	18.04.2005

19-20



EP 46 2-89



# ETKA



Model QUAT	Year 83	MG: 1	SG: 45	Illustration 19-20	Restrictions	Update 525	21:38	18.04.2005
---------------	------------	----------	-----------	-----------------------	--------------	---------------	-------	------------

Pos	Part Number	Name	Remarks	Qty	Model
		vane type pump for power steering			
1	#049 145 155 X	vane type pump		1	
-	035 198 049	set of seals for vane pump	049 145 155 X	1	
(2)	035 145 255 E	v-belt pulley		1	
(3)	035 260 849 C	v-belt	BT,5X992MM	1	
(4)	N 012 241 10	spring washer	B8X15X0,8	3	
(5)	N 014 706 7	bolt, with hex. socket hd.	M8X12	1	
6	035 145 295	cover plate F >> 85-H-902 400*		1	
7	035 145 297 A	support		1	
8	N 015 422 2	speed nut	ST4,2X17X11,3	2	
9	N 012 224 3	spring washer	B4X9X0,5	2	
10	N 013 965 5	tapping screw, fill. hd. F >> 85-H-902 400*	B4,2X9,5	2	
11	035 145 515 B	bracket for vane pump F >> 85-H-902 400*		1	
12	N 012 241 10	spring washer	B8X15X0,8	3	
13	N 010 340 4	screw, hex. hd.	M8X40	3	
14	035 145 519 B	bow F >> 85-H-902 400*	front	1	
15	035 145 531 H	bracket for vane pump F >> 85-H-902 400*	rear	1	
16	N 010 239 11	screw, hex. hd. F 85-B-901 298>>	M8X18 M8X18	3	
17	N 010 242 22	screw, hex. hd. F 85-B-901 298>> 85-H-902 400	M8X25	3	
18	N 015 401 3	washer F 85-B-901 298>> 85-H-902 400*	8,4X21X4	3	
20	N 022 146 4	hex. nut, self-locking	VM8	1	



# ETKA



Model QUAT	Year 83	MG: 1	SG: 45	Illustration 19-20	Restrictions	Update 525	21:38	18.04.2005
---------------	------------	----------	-----------	-----------------------	--------------	---------------	-------	------------

Pos	Part Number	Name	Remarks	Qty	Model
21	N 015 401 3	washer F 85-B-901 298>>	8,4X21X4	1	
(22)	035 145 545 H	support F 85-B-901 298>>		1	
23	N 014 717 2	bolt, with hex. socket hd.	M8X40	1	
24	N 015 401 3	washer	8,4X21X4	1	
25	035 145 541	eye bolt		1	
26	N 022 146 4	hex. nut, self-locking	VM8	1	
27	N 010 360 9	screw, hex. hd.	M8X60	1	
28	N 011 525 13	washer	A8,4	1	
- - - E N D - - -					