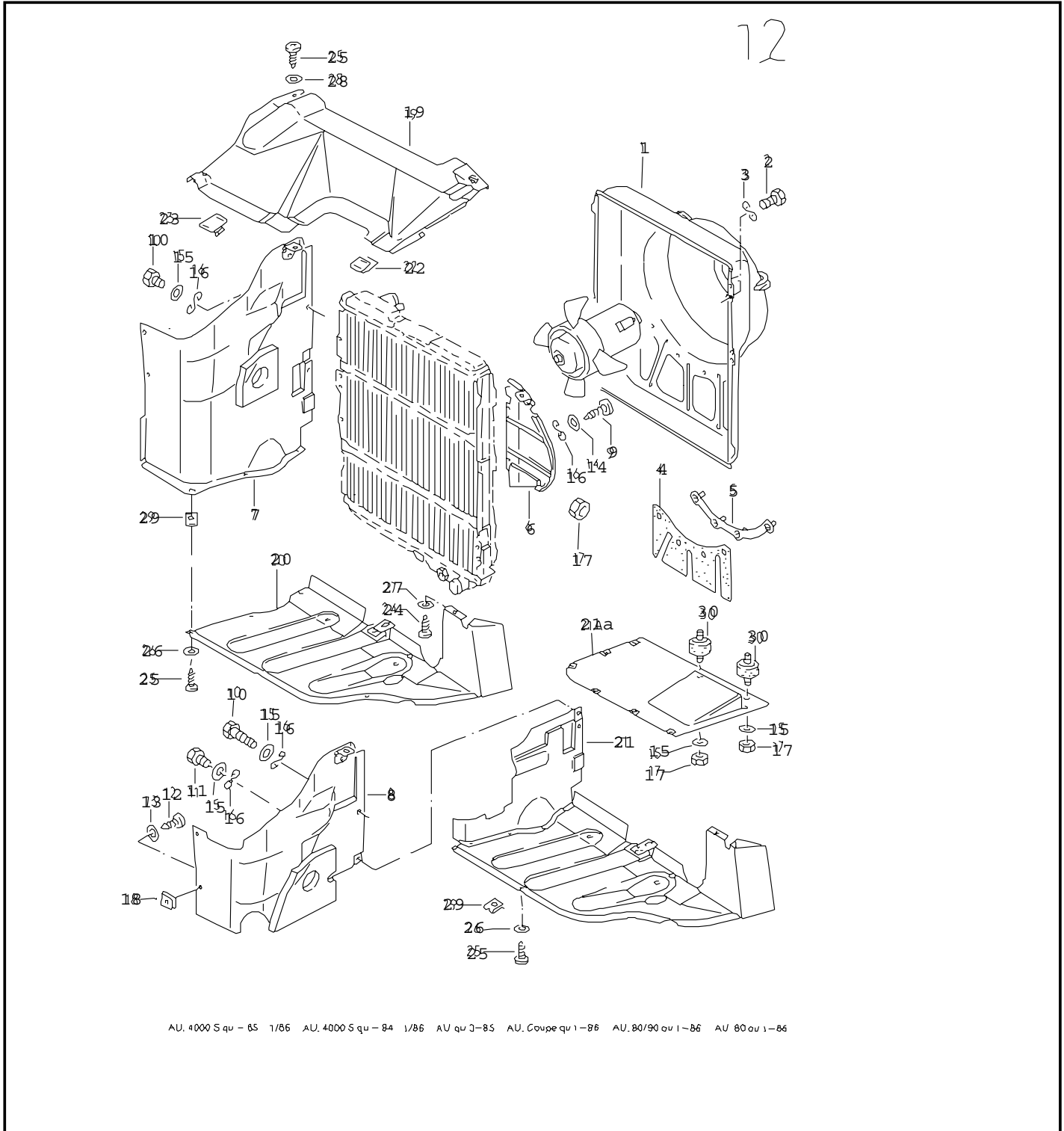




# ETKA



Model	Year	MG:	SG:	Illustration	Restrictions	Update		
QUAT	83	1	21	12-00		525	21:34	18.04.2005





# E T K A



Model QUAT	Year 83	MG: 1	SG: 21	Illustration 12-00	Restrictions	Update 525	21:34	18.04.2005
---------------	------------	----------	-----------	-----------------------	--------------	---------------	-------	------------

Pos	Part Number	Name	Remarks	Qty	Model
		fan cowl air duct			WX
1	896 121 205	fan cowl		1	
2	N 010 208 5	screw, hex. hd.	M6X8	5	
3	N 012 226 5	spring washer	B6X12X0,5	5	
4	823 121 225	cap		1	
5	803 121 227	bracket		1	
6	811 121 281 A	air duct cardboard F >> 85-D-902 500	left	1	
(6)	811 121 283 B	air duct cardboard F 85-E-000 001>>	left	1	
8	857 121 282 F	air duct	right	1	
9	N 014 139 5	fillister hd. screw	M6X12	2	
10	N 010 212 26	screw, hex. hd.	M6X12	1	
11	N 010 215 27	screw, hex. hd.	M6X15	4	
-	N 044 419 2	stud	M6X15	1	
12	N 013 966 26	tapping screw, fill. hd.	4,2X13STC	8	
13	N 011 522 7	washer	A4,3X9X0,8	2	
14	N 011 524 23	washer	A6,4X12,5X1,6	X	
15	N 011 666 15	washer	6,4X18X1,6	4	
16	N 012 226 5	spring washer	B6X12X0,5	4	
17	N 011 006 24	hex. nut	M6	3	
(17)	N 011 183 12	hex. nut, self-locking	M6	4	
18	N 015 422 2	speed nut	ST4,2X17X11,3	X	
(18)	N 904 190 02	speed nut	M4X15X17,5	1	
-	N 010 261 3	screw, hex. hd.	M4X15	1	
19	811 121 293	air duct cardboard	upper	1	
21	857 121 329 B	air duct cardboard	lower	1	



# ETKA



Model QUAT	Year 83	MG: 1	SG: 21	Illustration 12-00	Restrictions	Update 525	21:34	18.04.2005
---------------	------------	----------	-----------	-----------------------	--------------	---------------	-------	------------

Pos	Part Number	Name	Remarks	Qty	Model
21A	857 121 341	air duct for oil cooler	lower	1	
22	431 121 304 A	clip		1	
23	811 121 304	clip		1	
24	N 013 884 5	tapping screw,hex.hd.	4,8X13	1	
25	N 013 966 26	tapping screw, fill. hd.	4,2X13STC	2	
(25)	N 013 969 4	tapping screw, fill. hd.	B4,8X16	X	
-	N 038 601 1	nut,thread cutting	5X5,4	1	
-	N 014 710 7	bolt, with hex. socket hd.	M8X20	1	
26	N 011 522 7	washer	A4,3X9X0,8	4	
27	N 011 523 8	washer	A5,3X10X1	2	
28	N 011 664 4	washer	B4,3X12X1	2	
29	N 015 427 2	speed nut	B4,8X19,8X16,5	17	
30	443 121 273 E	bonded rubber mounting		2	
- - - E N D - - -					